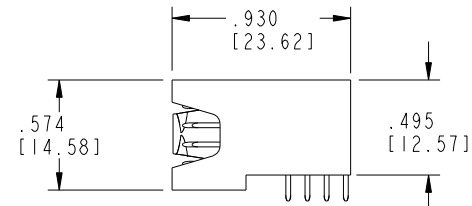
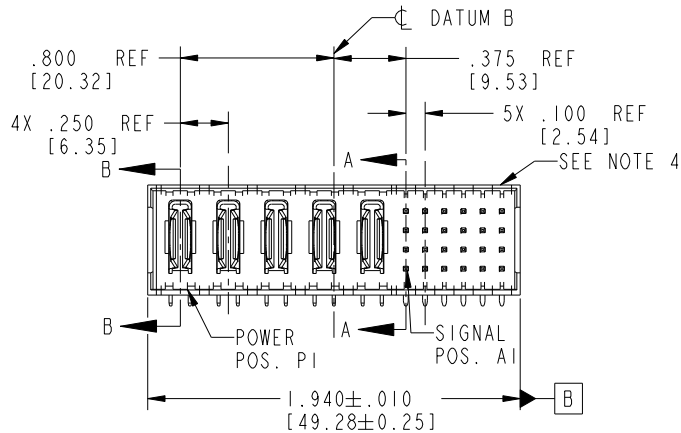


Tous droits strictement réservés. Reproduction ou communication a des tiers interdite sous quelque forme que ce soit sans autorisation écrite du propriétaire. Propriété de c FCI. Droits de reproduction FCI.



All rights strictly reserved. Reproduction or issue to third parties in any form whatever is not permitted without written authority from the proprietor. Property of FCI. Copyright FCI.

PRODUCT NO. 51736-001-- NOTE: (3)	ROWS D C B A	POWER					SIGNAL					
		P1	P2	P3	P4	P5	1	2	3	4	5	6
		PA	PA	PA	PA	PA	UU	HH	HH	HH	HH	HH
							TT	GG	GG	GG	GG	GG
							SS	FF	FF	FF	FF	FF
							RR	EE	EE	EE	EE	EE



CODE	DIM "M" MATING LENGTH	CONTACT TYPE
E	.220 [5.59]	SIGNAL
F	.220 [5.59]	SIGNAL
G	.220 [5.59]	SIGNAL
H	.220 [5.59]	SIGNAL
R	.270 [6.86]	SIGNAL
S	.270 [6.86]	SIGNAL
T	.270 [6.86]	SIGNAL
U	.270 [6.86]	SIGNAL
PA	N/A [N/A]	POWER

mat'l code				SEE NOTE 2		tolerances unless otherwise specified		CUSTOMER		FCI	
ltr	ecn no.	dr	date	linear	.XX±.01/0.X±0.3	projection		COPY		www.fciconnect.com	
A	V10100	CGD	01-02-01		.XXX±.005/0.XX±0.13	INCH/MM		title		5P + 24S	
B	V20771	JWS	04-19-02	angles	.XXX±.002/0.XXX±0.051	1:1		RIGHT ANGLE SOLDER HEADER		product family	
C	DG05-0212	SJ	07/07/05		0° ± 2°			PwrBlade		code	
D	DG05-0554	GuoJM	12/20/05	dr				size		213	
E	DG08-0251	W D	09/12/08	engr	J. SHAFER 04-19-02			dwg no		sheet	
				chr	M. MOSTOLLER 04-19-02			A 51736-001		1 of 4	
				appd	M. MOSTOLLER 04-19-02						
sheet index	revision sheet	E	E	E	E						
		1	2	3	4						

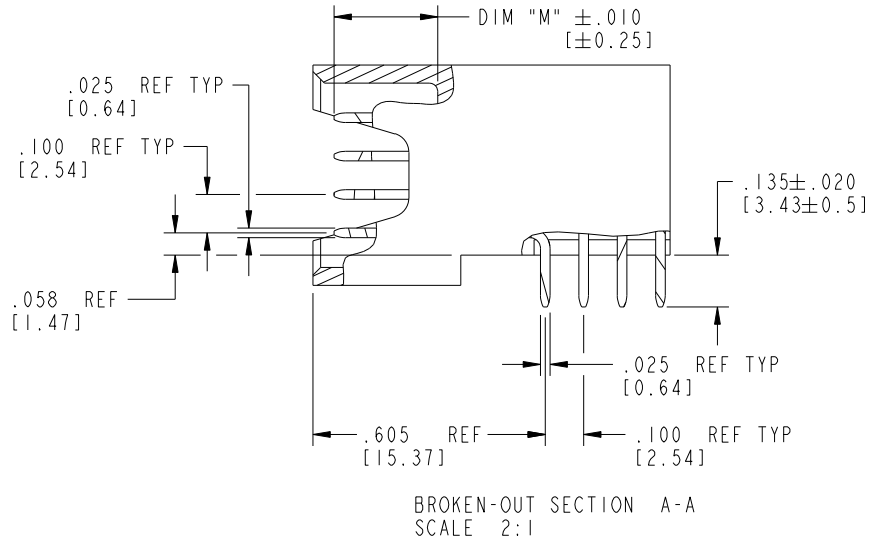
Tous droits strictement réservés. Reproduction ou communication a des tiers interdite sous quelque forme que ce soit sans autorisation écrite du propriétaire. Propriété de c FCI. Droits de reproduction FCI.

All rights strictly reserved. Reproduction or issue to third parties in any form whatever is not permitted without written authority from the proprietor. Property of FCI. Copyright FCI.

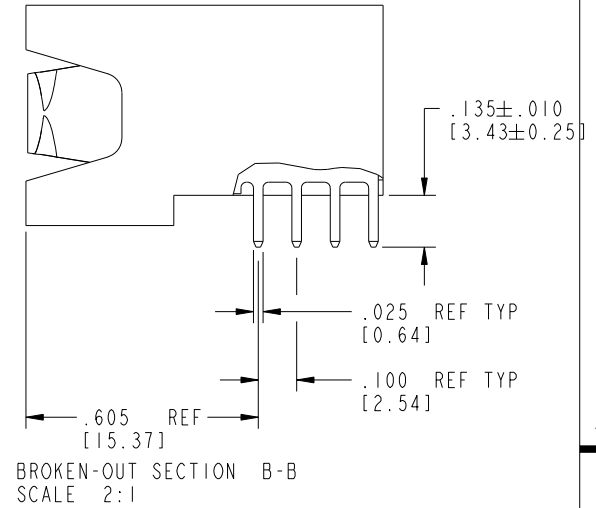


PRODUCT NUMBER

51736-001
NOTE: ③



BROKEN-OUT SECTION A-A
SCALE 2:1



BROKEN-OUT SECTION B-B
SCALE 2:1

mat'l code		SEE NOTE 2		tolerances unless otherwise specified		CUSTOMER		FCI	
lir	ecn no.	dr	date	linear	.XX±.01/0.X±0.3	COPY		www.fciconnect.com	
E				projection	.XXY±.005/0.XX±0.13	INCH/MM		title	
				angles	.XXX±.0020/0.XXX±0.051	1:1		5P + 24S	
				dr	0° ± 2°	scale		RIGHT ANGLE SOLDER HEADER	
				enr	J. SHAFFER 04-19-02	A		product family	
				chr	M. MOSTOLLER 04-19-02	51736-001		PwrBlade	
				appd	M. MOSTOLLER 04-19-02	A		code	
sheet index		revision sheet						213	
								sheet 2 of 4	

cage code 22536

Pro/E

PDM: Rev: E

STATUS: Released

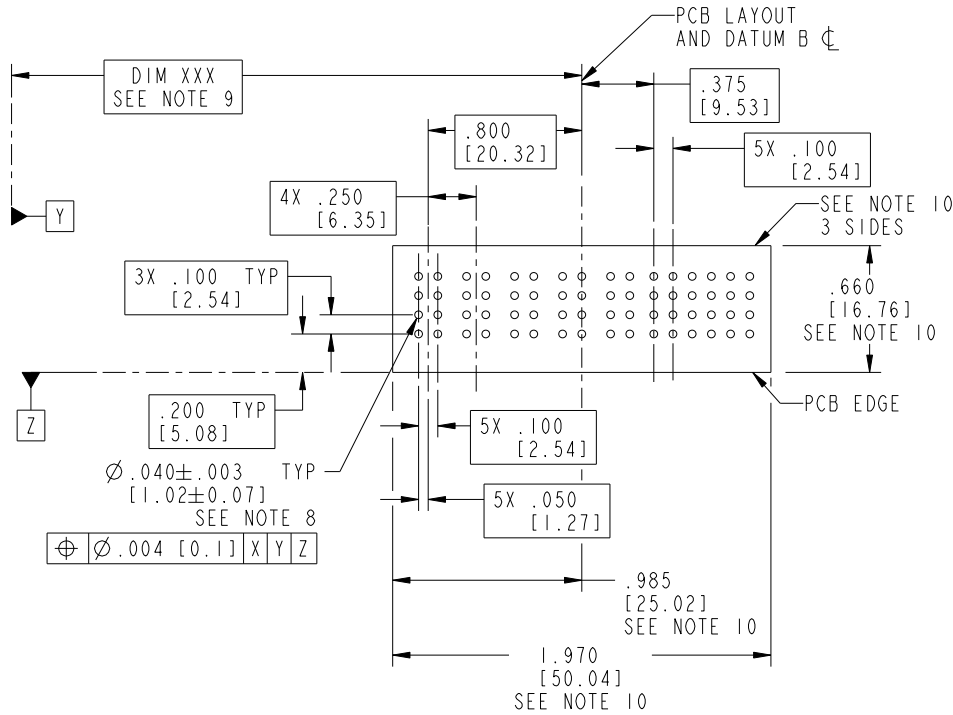
Printed: Sep 20, 2008

Tous droits strictement réservés. Reproduction ou communication a des tiers interdite sous quelque forme que ce soit sans autorisation écrite du propriétaire. Propriété de c FCI. Droits de reproduction FCI.



All rights strictly reserved. Reproduction or issue to third parties in any form whatever is not permitted without written authority from the proprietor. Property of FCI. Copyright FCI.

PRODUCT NUMBER
51736-001--
NOTE: ③



RECOMMENDED PCB LAYOUT

mat'l code		SEE NOTE 2		tolerances unless otherwise specified		CUSTOMER		 www.fciconnect.com	
ltr	ecn no.	dr	date	linear	.XX±.01/0.X±0.3	COPY		title	
E				angles	.XXY±.005/0.XX±0.13	projection		5P + 24S	
					.XXX±.0020/0.XXX±0.051			RIGHT ANGLE SOLDER HEADER	
				dr	0°±2°			product family	
				engr	J. SHAFFER 04-19-02	scale		PwrBlade	
				chr	M. MOSTOLLER 04-19-02	1:1		code	
				appd	M. MOSTOLLER 04-19-02	A		213	
sheet index		revision sheet		A		51736-001		sheet 3 of 4	

Pro/E

PDM: Rev: E

STATUS: Released

Printed: Sep 20, 2008

1 | 2

3

4

A

A

B

B

1 | 2

4

PRODUCT NUMBER
 51736-001--
 NOTE: ③

NOTES:

1. DIMENSIONS AND TOLERANCES ARE IN ACCORDANCE WITH ASME Y14.5M, 1994 UNLESS OTHERWISE SPECIFIED.

CONNECTOR NOTES:

2. HOUSING MATERIAL: UL 94 V-0 GLASS FILLED HIGH-TEMP THERMOPLASTIC
 POWER CONTACT MATERIAL: COPPER ALLOY
 SIGNAL PIN MATERIAL: COPPER ALLOY

⚠ 3. SEE ITEM 1 & 2 IN PRINT 10064183 FOR PLATING SPEC OF 51736-001 AND 51736-001LF RESPECTIVELY.

4. MANUFACTURER'S NAME, P/N, AND DATE CODE TO APPEAR ON THIS SURFACE.

5. PRODUCT SPECIFICATION GS-12-149.
 APPLICATION SPECIFICATION BUS-20-067.

PCB NOTES:

6. ALL HOLE DIAMETERS ARE FINISHED HOLE SIZE.

7. MOUNTING HOLES, WHERE APPLICABLE, ARE UNPLATED.

8. $\varnothing .0453 \pm 0.0010$ [1.151 \pm 0.025] DRILLED HOLES PLATED WITH
 0.0003 [0.008] MIN SnPb OVER .001 [0.03]
 TO .003 [0.08] Cu PLATING TO ACHIEVE
 $\varnothing .040 \pm .003$ [1.02 \pm .07] HOLE.

9. "DIM XXX" TO BE DETERMINED BY THE CUSTOMER.

10. CONNECTOR KEEP-OUT ZONE.

11. A ⚠ SYMBOL WILL BE NEXT TO ANY DIMENSION, VIEW, OR NOTE WHICH HAS BEEN MODIFIED WITH THE CURRENT DRAWING REVISION.

mat'l code				SEE NOTE 2		tolerances unless otherwise specified		CUSTOMER		FCJ	
ltr	ecn no.	dr	date	linear	.XX±.01/0.X±0.3	projection		COPY		www.fciconnect.com	
E					.XXX±.005/0.XX±0.13	⊕		title		5P + 24S	
				angles	.XXX±.0020/0.XXX±0.051	⊕		product family		PwrBlade	
				dr	0° ± 2°	INCH/MM		size		213	
				engr	J. SHAFFER 04-19-02	scale		dwg no		sheet	
				chr	M. MOSTOLLER 04-19-02	1:1		A		4 of 4	
				appd	M. MOSTOLLER 04-19-02			51736-001			
sheet index	revision sheet										

Tous droits strictement réservés. Reproduction ou communication a des tiers interdite sous quelque forme que ce soit sans autorisation écrite du propriétaire. Propriété de c FCI. Droits de reproduction FCI.



All rights strictly reserved. Reproduction or issue to third parties in any form whatever is not permitted without written authority from the proprietor. Property of FCI. Copyright FCI.